

VERSALIFT VTX-240

Chassis mounted platform with two 3-stage telescopic booms



IVECO

Iveco Daily
(3,500 kg GVW)



Reach worksites up and
over obstacles



Reach worksites below
the vehicle



Automatic setup and
packing

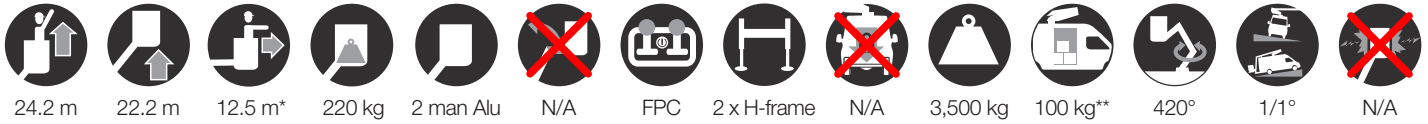


Available for class B
driving licence



2 x 90° bucket rotation

Available specifications



Dimensions



Length: 7,590 mm

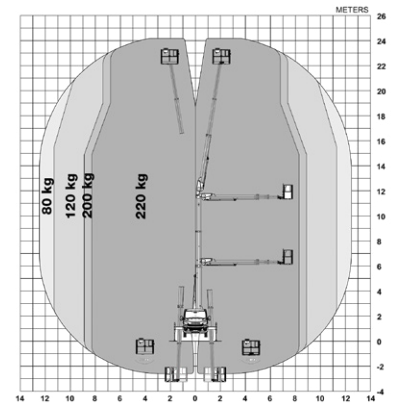
Height: 2,230 mm

Wheelbase: 4,100 mm

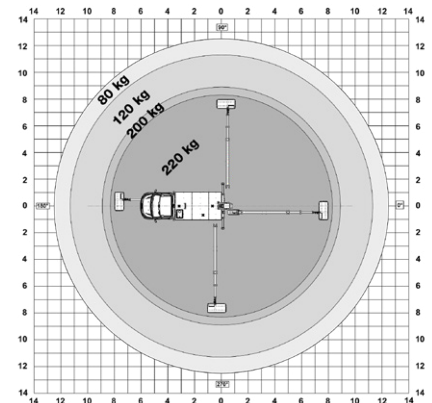
Additional equipment

- Outrigger pads with holders
- Safety stripes (red/white)
- Flashing lights on the vehicle
- Demo seat covers and floor mats
- Safety lanyard and harness

Diagramme(s)



Working envelope



Working envelope

Key features



'Up and over' reach: 11 metres up and 12.5 metres out



Ability to work below ground level (-3,3 meters)



6 cm ground clearance below the end mounted aluminium basket



FPC (Full Proportional CANbus): Variable outreach, up to 4 simultaneous actions and home function

Notes

Technical information is subject to change without prior notice. Images may show optional equipment. Installations and/or options may not be available in your specific region.

* Depending on the vehicle.

** Max payload with a driver, a passenger and a full tank of fuel (220 kg added to the installation weight).

Distributor